



F B 3 3 2 M V E	
Ballast Type	Electronic
Starting Method	Instant Start
Lamp Connection	Parallel
Input Voltage	120 ~ 277
Input Frequency	50 / 60Hz
Sound Rating	A
Remote Mounting	18 ft. maximum

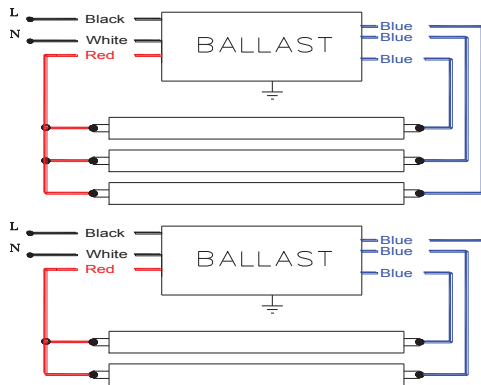
Electrical Specifications

Lamp Type	No. of Lamps	Rated Lamp Watts	Min. Start Temp (°F/°C)	Max. Input Current (A) @120/277V	Input Power (Watts)	Ballast Factor	Max. THD %	Power Factor	Max. L.C.C.F.	B.E.F.														
F32T8	3	32	0 / -18	0.72 / 0.31	86	0.89	10	0.99	1.70	1.03														
	2			0.53 / 0.24	64	0.97				1.52														
F32T8/ES (30W)	3	30	32 / 0	0.69 / 0.30	82	0.89				1.09	1.62	1.21												
	2			0.50 / 0.22	60	0.97							1.76											
F32T8/ES (28W)	3	28		0.61 / 0.27	73	0.88							1.31	1.94	1.38									
	2			0.46 / 0.20	55	0.97										1.90								
F32T8/ES (25W)	3	25		0.56 / 0.24	67	0.88										1.96	2.76							
	2			0.42 / 0.19	50	0.97																		
F25T8	3	25		0 / -18	0.54 / 0.25	65													0.90	1.05				
	2				0.43 / 0.19	52													0.99					
F17T8	3	17		0.41 / 0.18	49	0.96																		
	2			0.32 / 0.14	38	1.05																		

Regulatory Conformance

- Meets ANSI Standard C82.11-1993
- Meets ANSI Standard C62.41-1991
- Meets FCC Part 18 Class A for EMI & RFI (Non-Consumer Limits)
- No PCB's
- cULus Listed (Class P, Type 1 Outdoor, Type HL)

Wiring Diagram



Wire	in.	cm.
Black	19	49
White	19	49
Blue	31	79
Red	47	120

Product Dimensions

Overall (L)	Width (W)	Height (H)	Mounting (M)
9.50 "	1.72 "	1.18 "	8.90 "
9 1/2 "	1 23/32 "	1 3/16 "	8 7/8 "
24.10 cm	4.38 cm	3.00 cm	22.60 cm

Revised on 6/1/2009

Data published here are based on the result of the test under a controlled environment. Actual performance can vary depending on operating conditions. Specifications are subject to change without notice.