

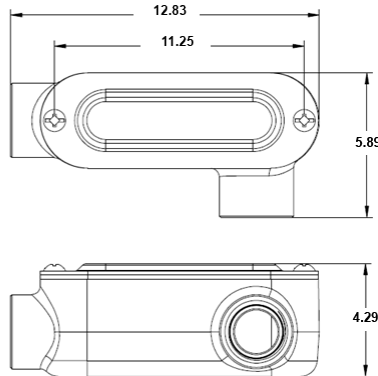
MODEL :		TYPE
PROJECT :		
PREPARED BY :	DATE :	

## SERIES SPECIFICATIONS

2-1/2" TYPE "LL" ALUMINUM CONDULET W/ COVER & GASKET



## LINE DRAWING



## CONSTRUCTION

Material  
Die Cast Copper-Free Aluminum

Finish  
Powder Coat

Gasket  
Neoprene

Type  
LL

## ORDERING INFORMATION

Part Number: WI LL250

Package Qty: 1 PCS

IMS Code: 0268-3113

APPLICATION AND PERFORMANCE SPECIFICATION INFORMATION IS SUBJECT TO CHANGE WITHOUT NOTIFICATION