

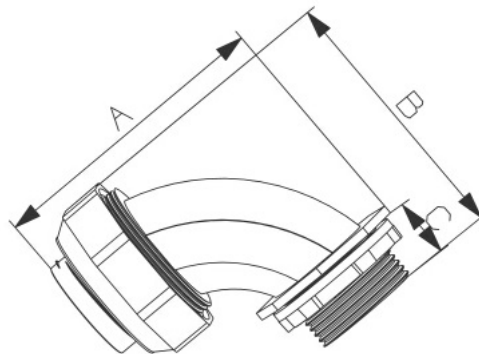
CONTRACTOR	
PROJECT	DATE
PREPARED BY	MODEL : WI LAQ9

## SERIES SPECIFICATIONS

Centaur's liquid tight connectors are suitable for indoor or outdoor locations to connect flexible metallic liquidtight conduit, and Type B flexible non-metallic conduit, to a box or enclosure. Product features our patented, split gland ring that assures a liquid tight seal. All metallic components are zinc electro plated for corrosion resistance.



## LINE DRAWING



## CONSTRUCTION

Body Material  
Steel-Zinc Die Cast

Color  
Galvanized

Seal Type  
Sealing Ring

Seal Material  
Polyethylene

## CERTIFICATIONS/WARRANTY

Listing  
UL Listed

Location Rating:  
Suitable for Wet locations

UL Listed liquidtight flexible metal conduit fittings are suitable for use in the following hazardous locations under NEC, Class I, Division 2; Class II, Division 1 and 2; and Class III, Division 1 and 2, and are suitable for grounding in sizes 3/8" through 1-1/4" under NEC.

APPLICATION AND PERFORMANCE SPECIFICATION INFORMATION IS SUBJECT TO CHANGE WITHOUT NOTIFICATION

CONTRACTOR	
PROJECT	DATE
PREPARED BY	MODEL : WI LAQ9

## ORDERING INFORMATION

Catalog Number	Trade Size.	A IN.	B IN.	C IN.	IMS Code
WI LQA9050	1/2"	2.433	2.153	0.511	0258-2922
WI LQA9075	3/4"	2.717	2.519	0.563	0258-2925
WI LQA9100	1"	3.425	2.885	0.720	0263-6343
WI LQA9125	1 1/4"	3.976	3.220	0.838	0263-6346
WI LQA9150	1 1/2"	4.122	3.700	0.708	0263-6349
WI LQA9200	2"	4.701	4.184	0.680	0263-6352
WI LQA9250	2 1/2"	6.189	5.149	1.043	0272-2425
WI LQA9300	3"	7.087	6.133	0.964	0272-2428
WI LQA9400	4"	8.531	7.405	1.027	0272-2431

APPLICATION AND PERFORMANCE SPECIFICATION INFORMATION IS SUBJECT TO CHANGE WITHOUT NOTIFICATION