

MODEL :		TYPE
PROJECT :		
PREPARED BY :	DATE :	

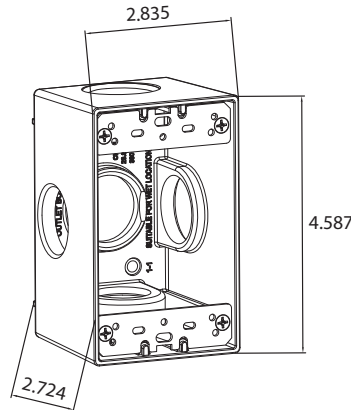
SERIES SPECIFICATIONS

1 GANG WEATHERPROOF BOX 2-5/8" DEEP 5 X 1" HOLE
(ALL SIDES) GRAY



RoHS
COMPLIANT

LINE DRAWING



CONSTRUCTION

Material	Gang
	1
Ground Screw Included	Finish
	Gray
No. of Outlet Holes	No. of Closure Plugs
5	2

DIMENSION

Depth (In.)	Height (In.)
2 5/8	4 1/2
Width (In.)	Volume cu. In.
2 3/4	23.8

APPLICATION AND PERFORMANCE SPECIFICATION INFORMATION IS SUBJECT TO CHANGE WITHOUT NOTIFICATION

MODEL :		TYPE
PROJECT :		
PREPARED BY :	DATE :	

DIMENSION

Hole Size (In.)

1

ORDERING INFORMATION

Part Number: WI DB100/5X

Package Qty: 15 PCS

IMS Code: 0278-8251

APPLICATION AND PERFORMANCE SPECIFICATION INFORMATION IS SUBJECT TO CHANGE WITHOUT NOTIFICATION