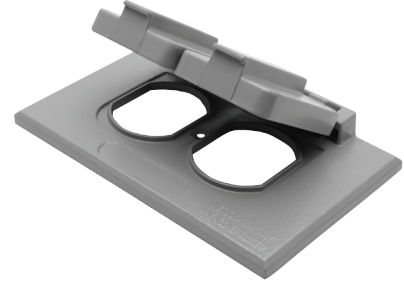


MODEL :		TYPE
PROJECT :		
PREPARED BY :	DATE :	

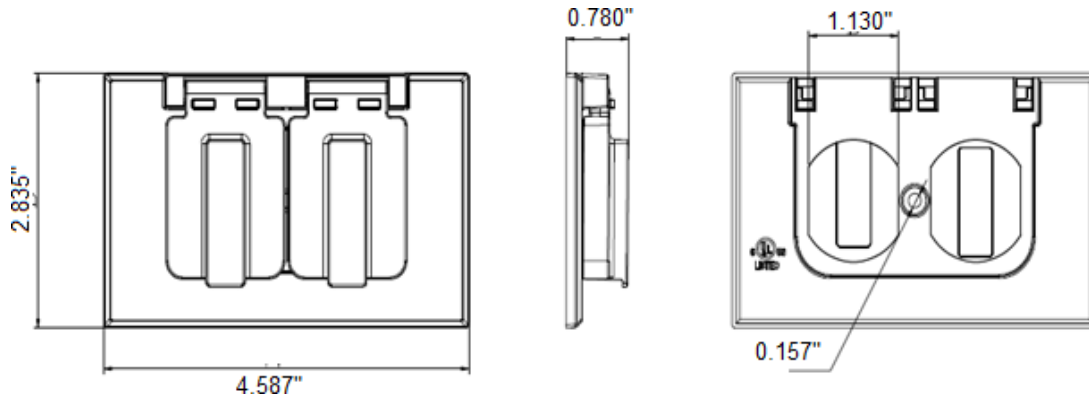
SERIES SPECIFICATIONS

WI 1G HORIZ CVR DUPLEX RCPT



RoHS
COMPLIANT

LINE DRAWING



CONSTRUCTION

Material
Zinc Die Cast

Gasket
Included

Color
Bronze

Type
Duplex/Combo

DIMENSION

Diameter (In.)
1.406

Height (In.)
2 3/4

Width (In.)
4 1/2

APPLICATION AND PERFORMANCE SPECIFICATION INFORMATION IS SUBJECT TO CHANGE WITHOUT NOTIFICATION

MODEL :		TYPE
PROJECT :		
PREPARED BY :	DATE :	

ORDERING INFORMATION

Part Number: WI DP2ABZ

Package Qty: 25 PCS

IMS Code: 0278-8284

APPLICATION AND PERFORMANCE SPECIFICATION INFORMATION IS SUBJECT TO CHANGE WITHOUT NOTIFICATION