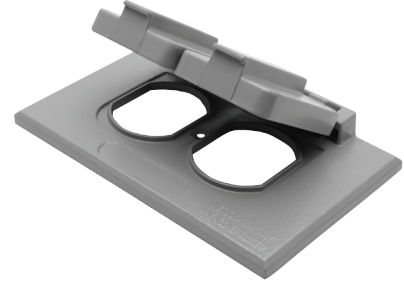


MODEL :		TYPE
PROJECT :		
PREPARED BY :	DATE :	

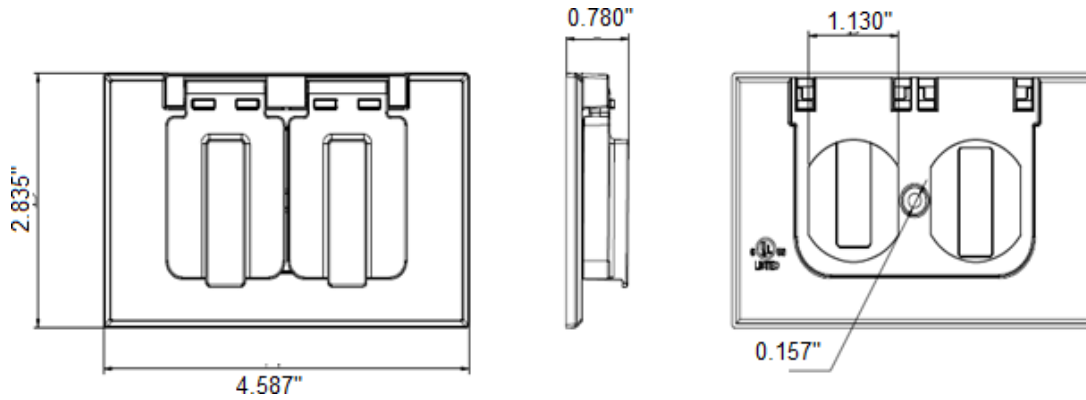
## SERIES SPECIFICATIONS

WI 1G HORIZ CVR DUPLEX RCPT



**RoHS**  
COMPLIANT

## LINE DRAWING



## CONSTRUCTION

Material  
Zinc Die Cast

Gasket  
Included

Color  
White

Type  
Duplex/Combo

## DIMENSION

Diameter (In.)  
1.406

Height (In.)  
2 3/4

Width (In.)  
4 1/2

APPLICATION AND PERFORMANCE SPECIFICATION INFORMATION IS SUBJECT TO CHANGE WITHOUT NOTIFICATION

MODEL :		TYPE
PROJECT :		
PREPARED BY :	DATE :	

ORDERING INFORMATION

Part Number: WI DP2AW

Package Qty: 25 PCS

IMS Code: 0278-8287

APPLICATION AND PERFORMANCE SPECIFICATION INFORMATION IS SUBJECT TO CHANGE WITHOUT NOTIFICATION