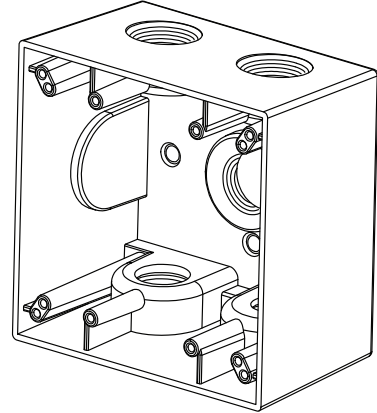


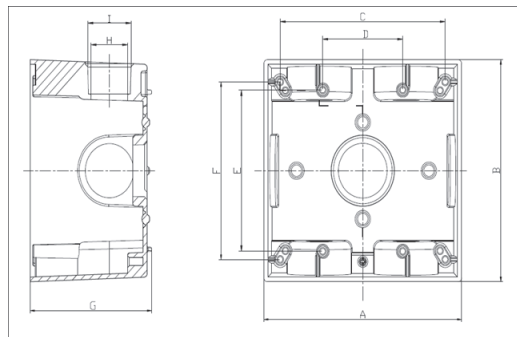
MODEL :		TYPE
PROJECT :		
PREPARED BY :	DATE :	

SERIES SPECIFICATIONS

2 GANG WEATHERPROOF BOX 2-5/8" DEEP 7 X 1/2"
HOLE (ALL SIDES) GRAY



LINE DRAWING



CONSTRUCTION

Material
Aluminum

Gang
2

Ground Screw
6-32UNC X 0.37in or 10-24UNC X 0.24in or
ø0.15*0.35 in

Finish
Gray

No. of Outlet Holes
7

DIMENSION

A (In.)
4.528

A (mm)
115mm

B (In.)
4.582

B (mm)
115mm

APPLICATION AND PERFORMANCE SPECIFICATION INFORMATION IS SUBJECT TO CHANGE WITHOUT NOTIFICATION

MODEL :		TYPE
PROJECT :		
PREPARED BY :	DATE :	

DIMENSION (CONT.)

C (In.) 3.78	C (mm) 96
D (In.) 1.831	D (mm) 46.5
E (In.) 3.287	E (mm) 83.5
F (In.) 3.622	F (mm) 92
G (In.) 2.776	G (mm) 70.5mm
H (In.) 0.606	H (mm) 15.4
I 1/2-14NPT	Volume (Cu. In.) 40.3 CU. IN.

LISTINGS/RATINGS

Listings
UL Listed

Location Ratings
Suitable for Wet locations

ORDERING INFORMATION

Part Number: WI DTB50/7X

IMS Code: 0278-8299

Master Carton Qty: 10 PCS

Pallet Qty: 1080 PCS

Master Carton Dimensions: 14x4.8x9.5 In.

Pallet Dimensions: 44.09x44.09x44.09 In.

Product Weight: 19.12 oz.

APPLICATION AND PERFORMANCE SPECIFICATION INFORMATION IS SUBJECT TO CHANGE WITHOUT NOTIFICATION