

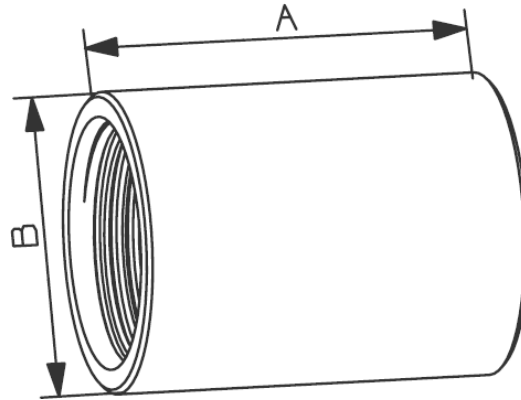
MODEL :		TYPE
PROJECT :		
PREPARED BY :	DATE :	

SERIES SPECIFICATIONS

WI STEEL COUPLING 3 1/2"



LINE DRAWING



CONSTRUCTION

Material
Cast Steel

Coupling
Steel Coupling

Finish
Zinc Electro-Plated

Trade Size
3 1/2"

DIMENSION

A (In.)
3.406

B (In.)
4.5

APPLICATION AND PERFORMANCE SPECIFICATION INFORMATION IS SUBJECT TO CHANGE WITHOUT NOTIFICATION

MODEL :		TYPE
PROJECT :		
PREPARED BY :		DATE :

ORDERING INFORMATION

Part Number: WI RC350

IMS Code: 0281-1978

APPLICATION AND PERFORMANCE SPECIFICATION INFORMATION IS SUBJECT TO CHANGE WITHOUT NOTIFICATION



404 NW ENTERPRISE DR. PORT ST. LUCIE, FL 34986 | 772.408.5213 | WWW.CENTAURINSTALLATION.COM