

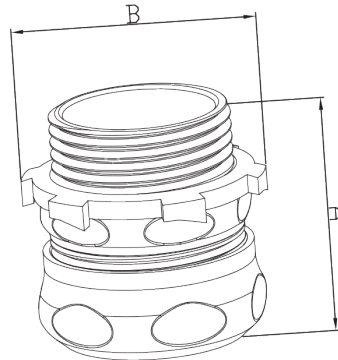
MODEL :		TYPE
PROJECT :		
PREPARED BY :	DATE :	

SERIES SPECIFICATIONS

STEEL COMPRESSION CONNECTOR 3/4"



LINE DRAWING



CONSTRUCTION

Material
SPCC cold rolled steel

Finish
Zinc Electro-Plated

Trade Size
3/4"

Connector
EMT Compression Connector

DIMENSION

A (In.)
1.457"

A (mm)
37mm

B (In.)
1.378"

B (mm)
35mm

Pipe Size
3/4"

NPSM
3/4-14NPSM

APPLICATION AND PERFORMANCE SPECIFICATION INFORMATION IS SUBJECT TO CHANGE WITHOUT NOTIFICATION

MODEL :	TYPE
PROJECT :	
PREPARED BY :	DATE :

ORDERING INFORMATION

Part Number: WI MEC-751

IMS Code: 0285-2820

APPLICATION AND PERFORMANCE SPECIFICATION INFORMATION IS SUBJECT TO CHANGE WITHOUT NOTIFICATION