

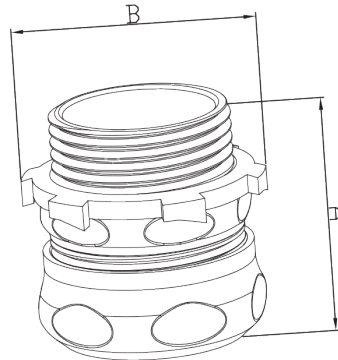
MODEL :		TYPE
PROJECT :		
PREPARED BY :	DATE :	

## SERIES SPECIFICATIONS

STEEL COMPRESSION CONNECTOR 1



## LINE DRAWING



## CONSTRUCTION

Material  
SPCC cold rolled steel

Finish  
Zinc Electro-Plated

Trade Size  
1"

Connector  
EMT Compression Connector

## DIMENSION

A (In.)  
1.575"

A (mm)  
40mm

B (In.)  
1.717"

B (mm)  
43.6mm

Pipe Size  
1"

NPSM  
1-11.5NPSM

APPLICATION AND PERFORMANCE SPECIFICATION INFORMATION IS SUBJECT TO CHANGE WITHOUT NOTIFICATION

MODEL :		TYPE
PROJECT :		
PREPARED BY :	DATE :	

ORDERING INFORMATION

Part Number: WI MEC-752

IMS Code: 0285-2826

APPLICATION AND PERFORMANCE SPECIFICATION INFORMATION IS SUBJECT TO CHANGE WITHOUT NOTIFICATION