

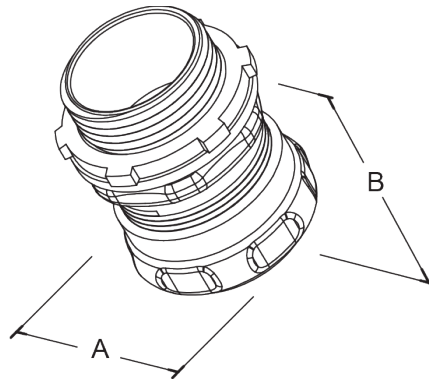
MODEL :		TYPE
PROJECT :		
PREPARED BY :	DATE :	

## SERIES SPECIFICATIONS

WI STL RT COMP CONN 2"



## LINE DRAWING



## CONSTRUCTION

Material  
Steel

Finish  
Zinc plated

Trade Size  
2"

Connector  
EMT Raintight Compression Connector

Temperature Rating  
105°

Sealing Ring Material  
Zytel 103FHS

## DIMENSION

A (In.)  
2.86

A (mm)  
72.64

B (In.)  
2.62

B (mm)  
66.54

APPLICATION AND PERFORMANCE SPECIFICATION INFORMATION IS SUBJECT TO CHANGE WITHOUT NOTIFICATION

MODEL :		TYPE
PROJECT :		
PREPARED BY :	DATE :	

### DIMENSION (Cont.)

Thread Size  
2"-11.5

Trade Size  
2"

### ORDERING INFORMATION

Part Number: WI MECR-755

IMS Code: 2852934

Master Carton Qty: 15 PCS

Pallet Qty: 120 PCS

Master Carton Dimensions: 10.43x7.08x6.29In.

Pallet Dimensions: 45.28x37.4x43.7In.

Product Weight: 11.75Oz.

APPLICATION AND PERFORMANCE SPECIFICATION INFORMATION IS SUBJECT TO CHANGE WITHOUT NOTIFICATION