

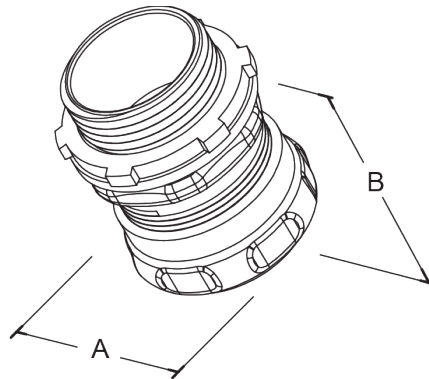
MODEL :		TYPE
PROJECT :		
PREPARED BY :	DATE :	

SERIES SPECIFICATIONS

WI STL RT COMP CONN 4"



LINE DRAWING



CONSTRUCTION

Material
Steel

Finish
Zinc plated

Trade Size
4"

Connector
EMT Raintight Compression Connector

Temperature Rating
105°

Sealing Ring Material
Zytel 103FHS

DIMENSION

A (In.)
5.26

A (mm)
133.6

B (In.)
4.67

B (mm)
118.61

APPLICATION AND PERFORMANCE SPECIFICATION INFORMATION IS SUBJECT TO CHANGE WITHOUT NOTIFICATION

MODEL :		TYPE
PROJECT :		
PREPARED BY :	DATE :	

DIMENSION (Cont.)

Thread Size
4"-8

Trade Size
4"

ORDERING INFORMATION

Part Number: WI MECR-759

IMS Code: 2852958

Master Carton Qty: 3 PCS

Pallet Qty: 98 PCS

Master Carton Dimensions: 12.59x9.05x5.51In.

Pallet Dimensions: 45.28x37.4x44.49In.

Product Weight: 43.85Oz.

APPLICATION AND PERFORMANCE SPECIFICATION INFORMATION IS SUBJECT TO CHANGE WITHOUT NOTIFICATION