

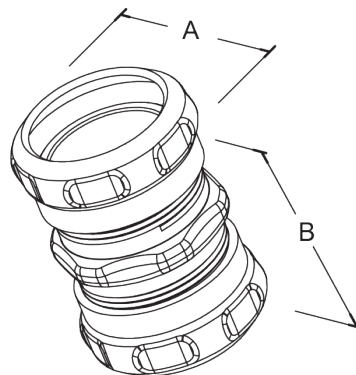
MODEL :		TYPE
PROJECT :		
PREPARED BY :	DATE :	

SERIES SPECIFICATIONS

WI STL RT COMP CPLG 3/4"



LINE DRAWING



CONSTRUCTION

Material
Steel

Finish
Zinc plated

Trade Size
3/4"

Connector
EMT Raintight Compression Coupling

Temperature Rating
105°

Sealing Ring Material
Zytel 103FHS

DIMENSION

A (In.)
1.30

A (mm)
33.02

B (In.)
1.98

B (mm)
50.29

APPLICATION AND PERFORMANCE SPECIFICATION INFORMATION IS SUBJECT TO CHANGE WITHOUT NOTIFICATION

MODEL :	TYPE	
PROJECT :		
PREPARED BY :	DATE :	

DIMENSION (Cont.)

Thread Size
na

Trade Size
3/4"

ORDERING INFORMATION

Part Number: WI MECR-761

IMS Code: 02852967

Master Carton Qty: 250 PCS

Pallet Qty: 48 PCS

Master Carton Dimensions: 18.5x10.62x6.88In.

Pallet Dimensions: 45.28x37.4x47.24In.

Product Weight: 2.57Oz.

APPLICATION AND PERFORMANCE SPECIFICATION INFORMATION IS SUBJECT TO CHANGE WITHOUT NOTIFICATION