

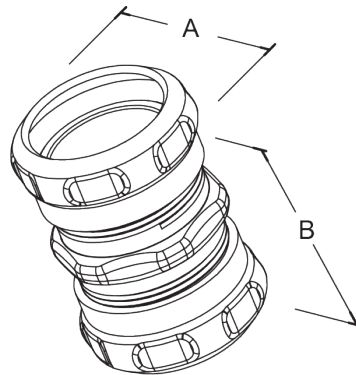
| | | |
|---------------|--------|------|
| MODEL : | | TYPE |
| PROJECT : | | |
| PREPARED BY : | DATE : | |

SERIES SPECIFICATIONS

WI STL RT COMP CPLG 1"



LINE DRAWING



CONSTRUCTION

Material
Steel

Finish
Zinc plated

Trade Size
1"

Connector
EMT Raintight Compression Coupling

Temperature Rating
105?

Sealing Ring Material
Zytel 103FHS

DIMENSION

A (In.)
1.63

A (mm)
41.402

B (In.)
2.23

B (mm)
56.64

APPLICATION AND PERFORMANCE SPECIFICATION INFORMATION IS SUBJECT TO CHANGE WITHOUT NOTIFICATION

| | | |
|---------------|--------|------|
| MODEL : | | TYPE |
| PROJECT : | | |
| PREPARED BY : | DATE : | |

DIMENSION (Cont.)

Thread Size
na

Trade Size
1"

ORDERING INFORMATION

Part Number: WI MECR-762

IMS Code: 02852970

Master Carton Qty: 100 PCS

Pallet Qty: 56 PCS

Master Carton Dimensions: 18.5x10.62x5.51In.

Pallet Dimensions: 45.28x37.4x44.49In.

Product Weight: 4.37Oz.

APPLICATION AND PERFORMANCE SPECIFICATION INFORMATION IS SUBJECT TO CHANGE WITHOUT NOTIFICATION