

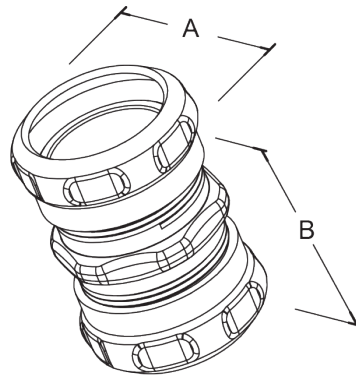
MODEL :		TYPE
PROJECT :		
PREPARED BY :	DATE :	

SERIES SPECIFICATIONS

WI STL RT COMP CPLG 1-1/4"



LINE DRAWING



CONSTRUCTION

Material
Steel

Finish
Zinc plated

Trade Size
1 1/4"

Connector
EMT Raintight Compression Coupling

Temperature Rating
105°

Sealing Ring Material
Zytel 103FHS

DIMENSION

A (In.)
2.13

A (mm)
54.1

B (In.)
2.60

B (mm)
66.04

APPLICATION AND PERFORMANCE SPECIFICATION INFORMATION IS SUBJECT TO CHANGE WITHOUT NOTIFICATION

MODEL :	TYPE	
PROJECT :		
PREPARED BY :	DATE :	

DIMENSION (Cont.)

Thread Size
na

Trade Size
1 1/4"

ORDERING INFORMATION

Part Number: WI MECR-763

IMS Code: 02852973

Master Carton Qty: 25 PCS

Pallet Qty: 140 PCS

Master Carton Dimensions: 10.43x7.08x5.11In.

Pallet Dimensions: 45.28x37.4x41.73In.

Product Weight: 9.10Oz.

APPLICATION AND PERFORMANCE SPECIFICATION INFORMATION IS SUBJECT TO CHANGE WITHOUT NOTIFICATION