

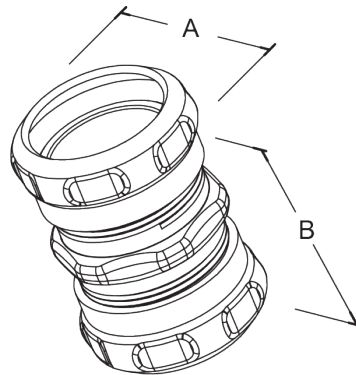
| | | |
|---------------|--------|------|
| MODEL : | | TYPE |
| PROJECT : | | |
| PREPARED BY : | DATE : | |

SERIES SPECIFICATIONS

WI STL RT COMP CPLG 1-1/2"



LINE DRAWING



CONSTRUCTION

Material
Steel

Finish
Zinc plated

Trade Size
1 1/2"

Connector
EMT Raintight Compression Coupling

Temperature Rating
105?

Sealing Ring Material
Zytel 103FHS

DIMENSION

A (In.)
2.37

A (mm)
60.19

B (In.)
2.86

B (mm)
72.64

APPLICATION AND PERFORMANCE SPECIFICATION INFORMATION IS SUBJECT TO CHANGE WITHOUT NOTIFICATION

| | | |
|---------------|--------|--|
| MODEL : | TYPE | |
| PROJECT : | | |
| PREPARED BY : | DATE : | |

DIMENSION (Cont.)

Thread Size
na

Trade Size
1 1/2"

ORDERING INFORMATION

Part Number: WI MECR-764

IMS Code: 02852976

Master Carton Qty: 20 PCS

Pallet Qty: 140 PCS

Master Carton Dimensions: 10.43x7.08x5.11In.

Pallet Dimensions: 45.28x37.4x41.73In.

Product Weight: 10.34Oz.

APPLICATION AND PERFORMANCE SPECIFICATION INFORMATION IS SUBJECT TO CHANGE WITHOUT NOTIFICATION