

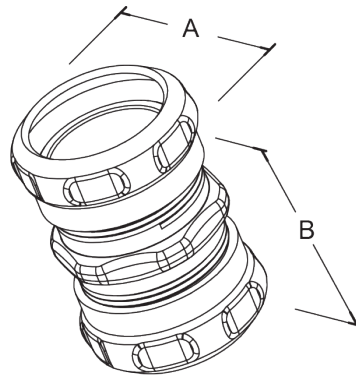
MODEL :		TYPE
PROJECT :		
PREPARED BY :	DATE :	

SERIES SPECIFICATIONS

WI STL RT COMP CPLG 2"



LINE DRAWING



CONSTRUCTION

Material
Steel

Finish
Zinc plated

Trade Size
2"

Connector
EMT Raintight Compression Coupling

Temperature Rating
105°

Sealing Ring Material
Zytel 103FHS

DIMENSION

A (In.)
2.86

A (mm)
72.64

B (In.)
2.96

B (mm)
75.18

APPLICATION AND PERFORMANCE SPECIFICATION INFORMATION IS SUBJECT TO CHANGE WITHOUT NOTIFICATION

MODEL :	TYPE
PROJECT :	
PREPARED BY :	DATE :

DIMENSION (Cont.)

Thread Size
na

Trade Size
2"

ORDERING INFORMATION

Part Number: WI MECR-765

IMS Code: 02852979

Master Carton Qty: 15 PCS

Pallet Qty: 120 PCS

Master Carton Dimensions: 10.43x7.08x5.11In.

Pallet Dimensions: 45.28x37.4x43.7In.

Product Weight: 13.37Oz.

APPLICATION AND PERFORMANCE SPECIFICATION INFORMATION IS SUBJECT TO CHANGE WITHOUT NOTIFICATION