

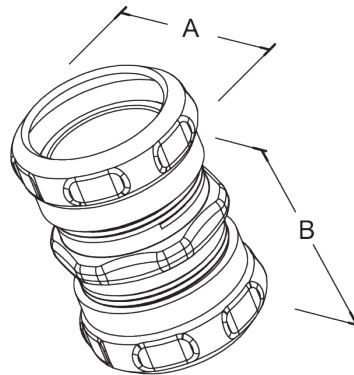
MODEL :		TYPE
PROJECT :		
PREPARED BY :	DATE :	

## SERIES SPECIFICATIONS

WI STL RT COMP CPLG 2-1/2"



## LINE DRAWING



## CONSTRUCTION

Material  
Steel

Finish  
Zinc plated

Trade Size  
2 1/2"

Connector  
EMT Raintight Compression Coupling

Temperature Rating  
105°

Sealing Ring Material  
Zytel 103FHS

## DIMENSION

A (In.)  
3.59

A (mm)  
91.18

B (In.)  
5.12

B (mm)  
130.04

APPLICATION AND PERFORMANCE SPECIFICATION INFORMATION IS SUBJECT TO CHANGE WITHOUT NOTIFICATION

MODEL :		TYPE
PROJECT :		
PREPARED BY :	DATE :	

### DIMENSION (Cont.)

Thread Size  
na

Trade Size  
2 1/2"

### ORDERING INFORMATION

Part Number: WI MECR-766

IMS Code: 02852982

Master Carton Qty: 12 PCS

Pallet Qty: 56 PCS

Master Carton Dimensions: 18.5x10.62x5.51In.

Pallet Dimensions: 45.28x37.4x44.49In.

Product Weight: 32.17Oz.

APPLICATION AND PERFORMANCE SPECIFICATION INFORMATION IS SUBJECT TO CHANGE WITHOUT NOTIFICATION