

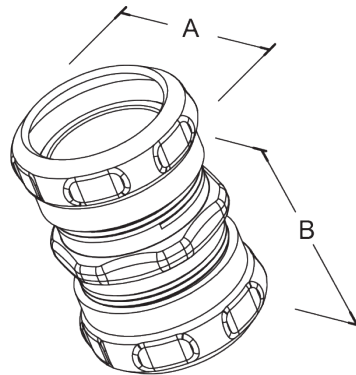
MODEL :		TYPE
PROJECT :		
PREPARED BY :	DATE :	

## SERIES SPECIFICATIONS

WI STL RT COMP CPLG 4"



## LINE DRAWING



## CONSTRUCTION

Material  
Steel

Finish  
Zinc plated

Trade Size  
4"

Connector  
EMT Raintight Compression Coupling

Temperature Rating  
105?

Sealing Ring Material  
Zytel 103FHS

## DIMENSION

A (In.)  
5.26

A (mm)  
133.6

B (In.)  
5.58

B (mm)  
141.73

APPLICATION AND PERFORMANCE SPECIFICATION INFORMATION IS SUBJECT TO CHANGE WITHOUT NOTIFICATION

MODEL :		TYPE
PROJECT :		
PREPARED BY :	DATE :	

### DIMENSION (Cont.)

Thread Size  
na

Trade Size  
4"

### ORDERING INFORMATION

Part Number: WI MECR-769

IMS Code: 02852991

Master Carton Qty: 6 PCS

Pallet Qty: 48 PCS

Master Carton Dimensions: 18.5x9.84x6.49In.

Pallet Dimensions: 45.28x37.4x44.88In.

Product Weight: 51.43Oz.

APPLICATION AND PERFORMANCE SPECIFICATION INFORMATION IS SUBJECT TO CHANGE WITHOUT NOTIFICATION