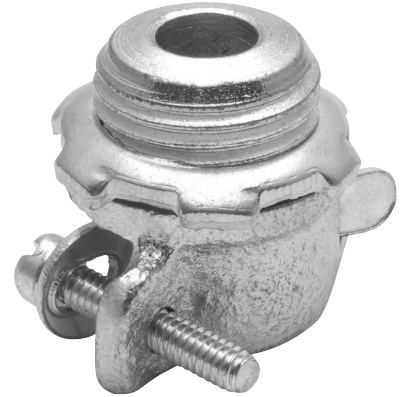


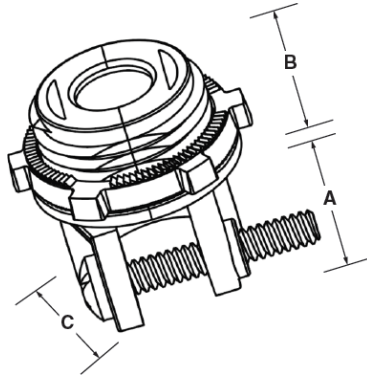
MODEL :		TYPE
PROJECT :		
PREPARED BY :	DATE :	

SERIES SPECIFICATIONS

WI SQUEEZE CONN 4"



LINE DRAWING



CONSTRUCTION

Material
Malleable Iron

Finish
Zinc Plated and Painted

Trade Size
4"

DIMENSION

A (In.)
4-1/8"

B (In.)
1-1/2"

C (In.)
7-1/4"

APPLICATION AND PERFORMANCE SPECIFICATION INFORMATION IS SUBJECT TO CHANGE WITHOUT NOTIFICATION

MODEL :		TYPE
PROJECT :		
PREPARED BY :		DATE :

ORDERING INFORMATION

Part Number: WI ML42-10

IMS Code: 2853078

APPLICATION AND PERFORMANCE SPECIFICATION INFORMATION IS SUBJECT TO CHANGE WITHOUT NOTIFICATION



404 NW ENTERPRISE DR. PORT ST. LUCIE, FL 34986 | 772.408.5213 | WWW.CENTAURINSTALLATION.COM