

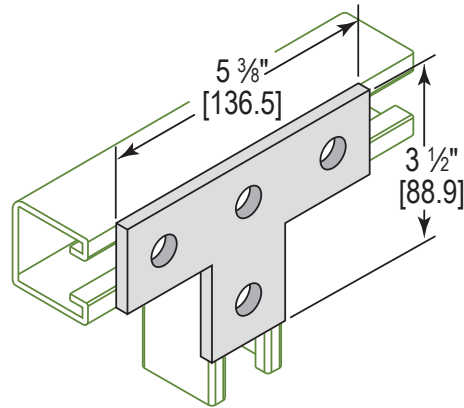
MODEL :		TYPE
PROJECT :		
PREPARED BY :	DATE :	

SERIES SPECIFICATIONS

4 HOLE TEE PLATE



LINE DRAWING



CONSTRUCTION

Type
Tee

Finish
Electro-galvanized

of Holes
4

DIMENSION

Width (In.)
3 1/2"

Hole Spacing
-

Length (In.)
5 3/8"

Thickness (mm.)
1/4"

APPLICATION AND PERFORMANCE SPECIFICATION INFORMATION IS SUBJECT TO CHANGE WITHOUT NOTIFICATION

MODEL :		TYPE
PROJECT :		
PREPARED BY :	DATE :	

ORDERING INFORMATION

Part Number: WI 4HTPLATE

Weight (lbs.): 0.7

IMS Code: 0287-6280

APPLICATION AND PERFORMANCE SPECIFICATION INFORMATION IS SUBJECT TO CHANGE WITHOUT NOTIFICATION