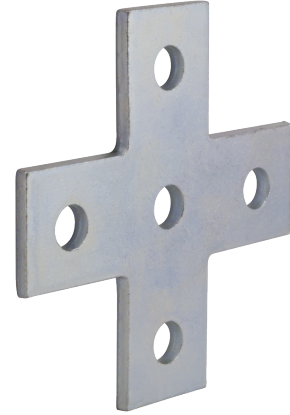


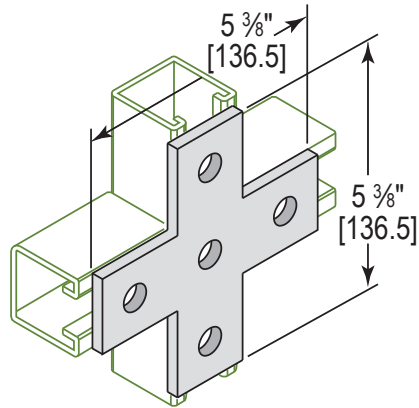
MODEL :		TYPE
PROJECT :		
PREPARED BY :	DATE :	

## SERIES SPECIFICATIONS

5 HOLE CROSS PLATE



## LINE DRAWING



## CONSTRUCTION

Type  
Cross

Finish  
Electro-galvanized

# of Holes  
5

## DIMENSION

Width (In.)  
5 3/8"

Hole Spacing  
-

Length (In.)  
5 3/8"

Thickness (mm.)  
1/4"

APPLICATION AND PERFORMANCE SPECIFICATION INFORMATION IS SUBJECT TO CHANGE WITHOUT NOTIFICATION

MODEL :		TYPE
PROJECT :		
PREPARED BY :	DATE :	

ORDERING INFORMATION

Part Number: WI 5HCROSSPL

Weight (lbs.): 0.95

IMS Code: 0287-6283

APPLICATION AND PERFORMANCE SPECIFICATION INFORMATION IS SUBJECT TO CHANGE WITHOUT NOTIFICATION