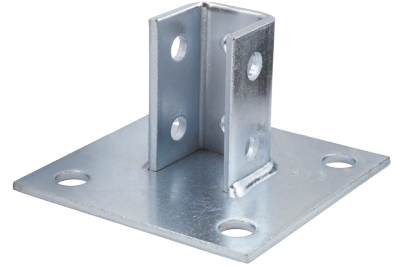


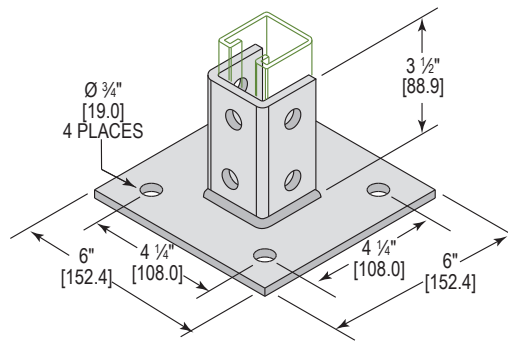
MODEL :		TYPE
PROJECT :		
PREPARED BY :	DATE :	

## SERIES SPECIFICATIONS

POST BASE SGL CHAN 4 HOLE SQ. 3-1/2"



## LINE DRAWING



## CONSTRUCTION

Finish  
Electro-galvanized

Type  
Single 4 Hole Square

## DIMENSION

Length (In.)  
6

Length (mm.)  
152.4

Width (In.)  
6

Width (mm.)  
152.4

Height (In.)  
3 1/2

Height (mm.)  
88.9

Hole Diameter (In.)  
3/4"

Hole Center to Edge (In.)  
0.875

APPLICATION AND PERFORMANCE SPECIFICATION INFORMATION IS SUBJECT TO CHANGE WITHOUT NOTIFICATION

MODEL :	TYPE
PROJECT :	
PREPARED BY :	DATE :

## DIMENSION

Channel Size  
3 1/2"

## ORDERING INFORMATION

Part Number: WI POST4HSQ3-1/2EG

Weight (lbs.): 3.53

IMS Code: 0295-5462

APPLICATION AND PERFORMANCE SPECIFICATION INFORMATION IS SUBJECT TO CHANGE WITHOUT NOTIFICATION