

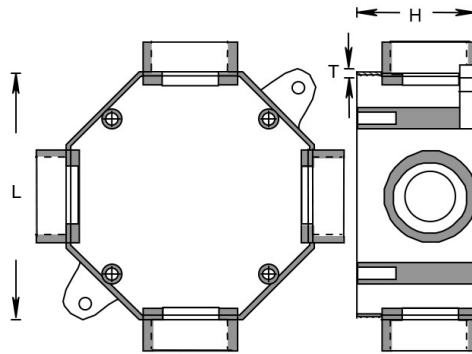
MODEL :			TYPE
PROJECT :			
PREPARED BY :		DATE :	

SERIES SPECIFICATIONS

4" x 1 1/2" Octagon Box



LINE DRAWING



CONSTRUCTION

Housing Material
PVC

Size
4" x 1 1/2"

Color
Gray

Cubic Ft.
0.66

DIMENSIONS

L (In.)
4

H (In.)
1.68

T (In.)
0.11

Volume (Cubic In.)
15.5

APPLICATION AND PERFORMANCE SPECIFICATION INFORMATION IS SUBJECT TO CHANGE WITHOUT NOTIFICATION



MODEL :		TYPE
PROJECT :		
PREPARED BY :		DATE :

ORDERING INFORMATION

Part Number: JBO

Case Dimensions (in.): 15.6" x 11.6" x 6.3"

Case Quantity: 15 PCS

Case Weight (lbs.): 5

APPLICATION AND PERFORMANCE SPECIFICATION INFORMATION IS SUBJECT TO CHANGE WITHOUT NOTIFICATION



CENTAUR
ELECTRICAL INSTALLATION

635 NW ENTERPRISE DR. PORT ST. LUCIE, FL 34986 | 772.344.9436 | WWW.CENTAURINSTALLATION.COM