

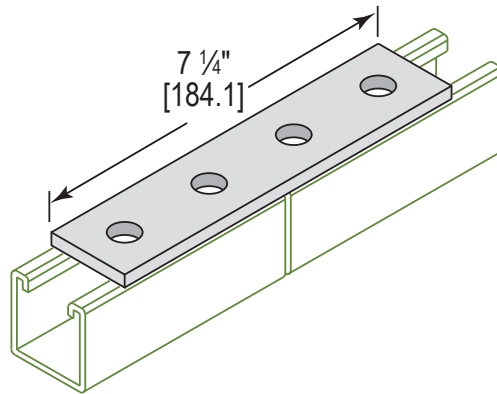
MODEL :		TYPE
PROJECT :		
PREPARED BY :	DATE :	

## SERIES SPECIFICATIONS

4 HOLE SPLICE PLATE



## LINE DRAWING



## CONSTRUCTION

Type  
Linear

Finish  
Electro-galvanized

# of Holes  
4

## DIMENSION

Width (In.)  
1 5/8"

Hole Spacing  
-

Length (In.)  
7 1/4"

Thickness (mm.)  
1/4"

APPLICATION AND PERFORMANCE SPECIFICATION INFORMATION IS SUBJECT TO CHANGE WITHOUT NOTIFICATION

MODEL :		TYPE
PROJECT :		
PREPARED BY :	DATE :	

ORDERING INFORMATION

Part Number: WI 4HFLATPLATE

Weight (lbs.): 0.7

IMS Code: 0294-2217

APPLICATION AND PERFORMANCE SPECIFICATION INFORMATION IS SUBJECT TO CHANGE WITHOUT NOTIFICATION