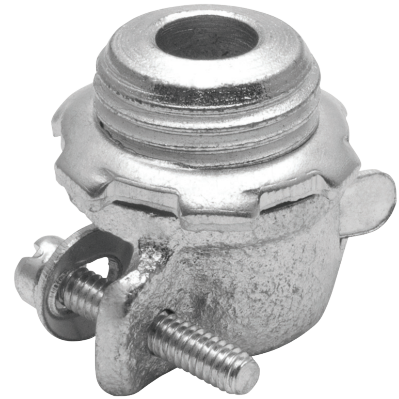


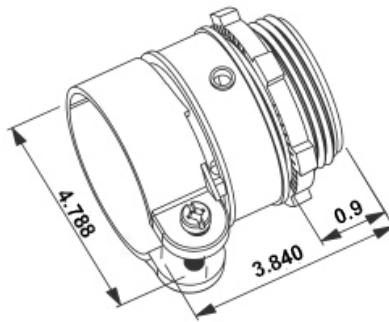
MODEL :		TYPE
PROJECT :		
PREPARED BY :	DATE :	

SERIES SPECIFICATIONS

ZINC DIE CAST SQUEEZE CONNECTOR 3-1/2"



LINE DRAWING



CONSTRUCTION

Material
Zinc Die-Cast

Type
Straight

Federal Spec
A-A-50552

DIMENSION

Trade Size
3 1/2

APPLICATION AND PERFORMANCE SPECIFICATION INFORMATION IS SUBJECT TO CHANGE WITHOUT NOTIFICATION

MODEL :		TYPE
PROJECT :		
PREPARED BY :	DATE :	

ORDERING INFORMATION

Part Number: WI L42-9

Package Qty: 1 PCS

IMS Code: 0294-2532

APPLICATION AND PERFORMANCE SPECIFICATION INFORMATION IS SUBJECT TO CHANGE WITHOUT NOTIFICATION