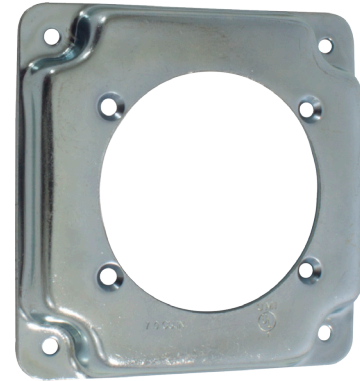


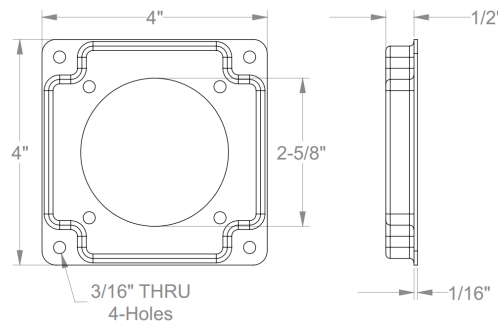
MODEL :		TYPE
PROJECT :		
PREPARED BY :	DATE :	

## SERIES SPECIFICATIONS

4" SQ. IND COVER, 7.0 CU. IN. POWER OUTLET, 30 TO 60A, 2.468" DIAMETER



## LINE DRAWING



## CONSTRUCTION

Material  
16 Ga Sheet Steel

Mfg. Process  
Drawn

Finish  
Galvanized

## DIMENSIONS

Width (In.)  
4

Height (In.)  
4

Depth (In.)  
1/2

Cubic In.  
7.0

Device Mounting Hole Spacing  
2-5/8

Device Mounting Hole Thread  
3/16 Thru

No. of Gangs  
1

APPLICATION AND PERFORMANCE SPECIFICATION INFORMATION IS SUBJECT TO CHANGE WITHOUT NOTIFICATION

MODEL :		TYPE
PROJECT :		
PREPARED BY :	DATE :	

ORDERING INFORMATION

Part Number: CM-4408

Case Weight (lbs.): 14

Case Quantity: 50 PCS

APPLICATION AND PERFORMANCE SPECIFICATION INFORMATION IS SUBJECT TO CHANGE WITHOUT NOTIFICATION