



CENTAUR STEEL

635 NW Enterprise Dr. Port St Lucie, FL 34986
tel: (772) 344-9436 or on the web @ www.centaursteel.com

SPECIFICATION & FEATURES

Catalog Number
Notes
Job/Title

DESCRIPTION:

The 4 11/16" Square Deep Welded Box (CM-5SDB) Series is a 4 11/16" X 4 11/16" X 2 1/8", 42.0 cubic inches of volume. It is constructed from 16 gauge galvanized steel and has raised ground emboss (except for bracketed boxes). The CM-5SDB has numerous mounting options and knockout choices to fit most installations.

COMPLIANCE:

UL listed file E347677, conforms to UL514A, acceptable for use in 2-hour fire rated walls.

ORDERING INFORMATION

CM-5SDB

Sample Part Code: CM-5SDB-50-FB



SERIES

CM-5SDB: 4 11/16" Square Deep Welded Box Series



KNOCKOUT

50: 1/2"
75: 3/4"
100: 1"
125: 1 1/4"
50/75: 1/2" & 3/4"
75/100: 3/4" & 1"
MKO: Multi-size

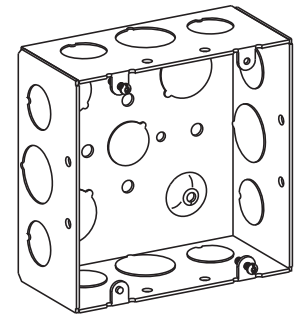
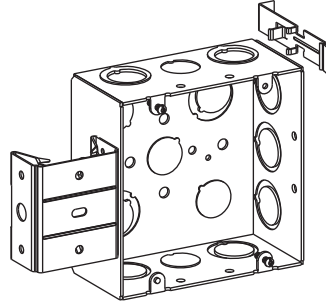


MOUNT

BLANK: No Bracket
FB: Flush Bracket
MS: Metal Stud Bracket
PT: Pigtail
AB: Angle Bracket
EXT: Box Extension
PT-BSA: Pigtail/Back Support

CM-5SDB

4 11/16" SQUARE DEEP WELDED BOX



DIMENSIONS

LENGTH	4 11/16"
WIDTH	4 11/16"
DEPTH	2 1/8"

CONFIGURATION DATA

CATALOG NUMBER	BRACKET & SETBACK	KNOCKOUTS	
		SIDES	BOTTOM
CM-5SDB-50		12 - 1/2"	4 - 1/2"
CM-5SDB-50-FB	FB, Flush	9 - 1/2"	5 - 1/2"
CM-5SDB-50/75		8 - 1/2", 4 - 3/4"	2 - 1/2", 2 - 3/4"
CM-5SDB-50/75-FB	FB, Flush	6 - 1/2", 3 - 3/4"	3 - 1/2", 2 - 3/4"
CM-5SDB-75		12 - 3/4"	2 - 1/2", 2 - 3/4"
CM-5SDB-75-FB	FB, Flush	9 - 3/4"	3 - 1/2", 2 - 3/4"
CM-5SDB-75/100		4 - 3/4", 4 - 1"	2 - 1/2", 2 - 3/4"
CM-5SDB-75/100-FB	FB, Flush	3 - 3/4", 3 - 1"	3 - 1/2", 2 - 3/4"
CM-5SDB-100		8 - 1"	2 - 1/2", 2 - 3/4"
CM-5SDB-100-FB	FB, Flush	6 - 1"	3 - 1/2", 2 - 3/4"
CM-5SDB-125		6 - 1-1/4"	2 - 1/2", 2 - 3/4"
CM-5SDB-MKO		2 - 1/2", 10 - MKO	2 - 1/2", 2 - MKO
CM-5SDB-MKO-PT	With 7" Pigtail	2 - 1/2", 10 - MKO	2 - 1/2", 2 - MKO
CM-5SDB-MKO-FB	FB, Flush	2 - 1/2", 7 - MKO	3 - 1/2", 2 - MKO
CM-5SDB-MKO-MS*	MS, Self-Gripping + Box Support Clip	2 - 1/2", 7 - MKO	3 - 1/2", 2 - MKO
CM-5SDB-50/75-EXT		8 - 1/2", 4 - 3/4"	
CM-5SDB-MKO-EXT		2 - 1/2", 10 - MKO	
CM-5SDB-50/75-PT-BSA	Back Support & 10" PT	8 - 1/2", 4 - 3/4"	3 - 3/4"
CM-5SDB-50/75-AB-PT-BSA	Back Support, 10" PT and Brkt.	6 - 1/2", 3 - 3/4"	3 - 3/4"

*Patent Pending: Metal Stud (MS) bracket engages on either side of a metal stud

