

CONTRACTOR:	
PROJECT:	DATE:
PREPARED BY:	SERIES: CM-MSB-1

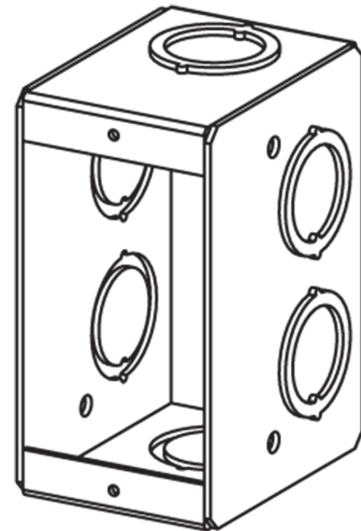
# CM-MSB-1

## SPECIFICATION & FEATURES

### DESCRIPTION

1G MASONRY BOX 2-1/2" DEEP

Country of Origin: CN



## ORDERING INFORMATION

<b>PART #</b> CM-MSB-1	<b>STOCK CODE</b> 0262-8252	<b>WIDTH</b> None	<b>HEIGHT</b> 3.75 Inches	<b>COLOR</b> Gray
<b>CUBIC CAPACITY</b> 16.1 In_	<b>DEPTH</b> 2.5 Inches	<b>GANGS</b> 1	<b>INSULATION</b> Non-Insulated	<b>KNOCKOUTS</b> (10) CKO

**MATERIAL**  
Steel

APPLICATION AND PERFORMANCE SPECIFICATION INFORMATION IS SUBJECT TO CHANGE WITHOUT NOTIFICATION