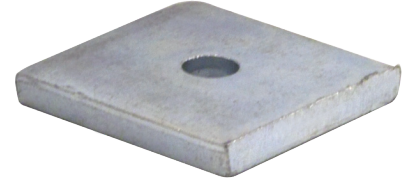


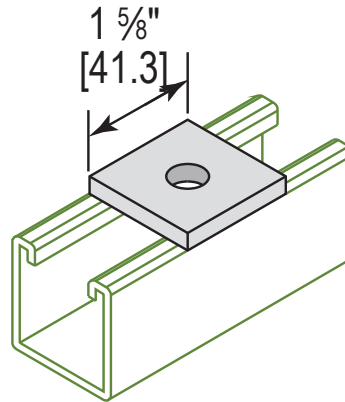
MODEL :		TYPE
PROJECT :		
PREPARED BY :	DATE :	

SERIES SPECIFICATIONS

SQ. WASHER 3/4"



LINE DRAWING



CONSTRUCTION

Finish
Electro-galvanized

DIMENSION

Bolt Size (In.)
3/4"

Bolt Size (mm.)
20

Hole Size (In.)
13/16"

Hole Size (mm.)
20.6

Length (In.)
1-5/8"

Thickness (mm.)
1/4"

APPLICATION AND PERFORMANCE SPECIFICATION INFORMATION IS SUBJECT TO CHANGE WITHOUT NOTIFICATION

MODEL :		TYPE
PROJECT :		
PREPARED BY :	DATE :	

ORDERING INFORMATION

Part Number: SW75EG

Weight (lbs.): 0.14

IMS Code: 0304-8498

APPLICATION AND PERFORMANCE SPECIFICATION INFORMATION IS SUBJECT TO CHANGE WITHOUT NOTIFICATION