

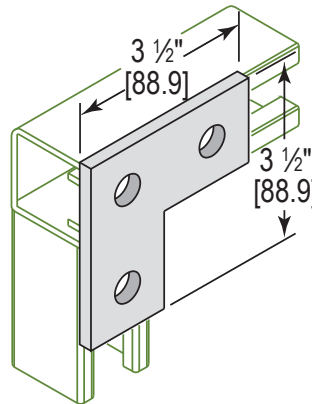
MODEL :		TYPE
PROJECT :		
PREPARED BY :	DATE :	

SERIES SPECIFICATIONS

3 HOLE CORNER PLATE



LINE DRAWING



CONSTRUCTION

Type
Corner

Finish
Electro-galvanized

of Holes
3

DIMENSION

Width (In.)
3 1/2"

Hole Spacing
-

Length (In.)
3 1/2"

Thickness (mm.)
1/4"

APPLICATION AND PERFORMANCE SPECIFICATION INFORMATION IS SUBJECT TO CHANGE WITHOUT NOTIFICATION

MODEL :		TYPE
PROJECT :		
PREPARED BY :	DATE :	

ORDERING INFORMATION

Part Number: F50

Weight (lbs.): 0.6

IMS Code: 0304-8522

APPLICATION AND PERFORMANCE SPECIFICATION INFORMATION IS SUBJECT TO CHANGE WITHOUT NOTIFICATION