

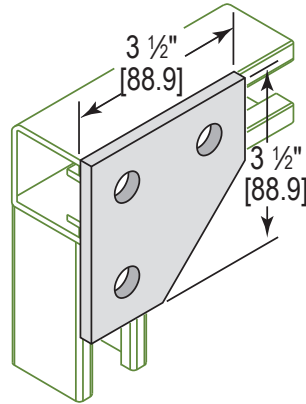
MODEL :		TYPE
PROJECT :		
PREPARED BY :	DATE :	

## SERIES SPECIFICATIONS

3 HOLE CORNER GUSSET PLATE



## LINE DRAWING



## CONSTRUCTION

Type  
Corner Gusset

Finish  
Electro-galvanized

# of Holes  
3

## DIMENSION

Width (In.)  
3 1/2"

Hole Spacing  
-

Length (In.)  
3 1/2"

Thickness (mm.)  
1/4"

APPLICATION AND PERFORMANCE SPECIFICATION INFORMATION IS SUBJECT TO CHANGE WITHOUT NOTIFICATION

MODEL :		TYPE
PROJECT :		
PREPARED BY :	DATE :	

ORDERING INFORMATION

Part Number: F52

Weight (lbs.): 0.65

IMS Code: 0304-8528

APPLICATION AND PERFORMANCE SPECIFICATION INFORMATION IS SUBJECT TO CHANGE WITHOUT NOTIFICATION