

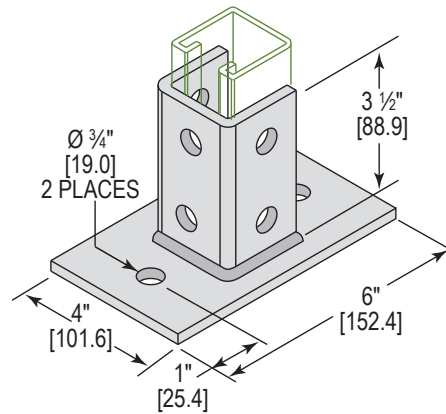
MODEL :		TYPE
PROJECT :		
PREPARED BY :	DATE :	

SERIES SPECIFICATIONS

POST BASE SGL CHAN 2 HOLE SQ. 3-1/2"



LINE DRAWING



CONSTRUCTION

Finish
Electro-galvanized

Type
Single 2 Hole Square

DIMENSION

Length (In.)
6

Length (mm.)
152.4

Width (In.)
4

Width (mm.)
101.6

Height (In.)
3 1/2

Height (mm.)
88.9

Hole Diameter (In.)
3/4"

Hole Center to Edge (In.)
1

APPLICATION AND PERFORMANCE SPECIFICATION INFORMATION IS SUBJECT TO CHANGE WITHOUT NOTIFICATION

MODEL :		TYPE
PROJECT :		
PREPARED BY :	DATE :	

DIMENSION

Channel Size
3 1/2"

ORDERING INFORMATION

Part Number: P150

Weight (lbs.): 2.79

IMS Code: 0304-8651

APPLICATION AND PERFORMANCE SPECIFICATION INFORMATION IS SUBJECT TO CHANGE WITHOUT NOTIFICATION