

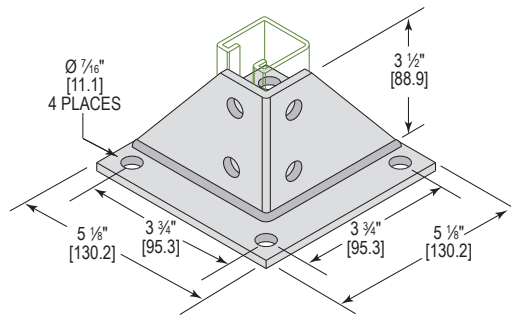
MODEL :		TYPE
PROJECT :		
PREPARED BY :	DATE :	

SERIES SPECIFICATIONS

POST BASE SGL CHAN GUSSET 4 HOLE SQ. 3-1/2"



LINE DRAWING



CONSTRUCTION

Finish
Electro-galvanized

Type
Single Gusset 4 Hole Square

DIMENSION

Length (In.)
5 1/8

Length (mm.)
130.2

Width (In.)
5 1/8

Width (mm.)
130.2

Height (In.)
3 1/2

Height (mm.)
88.9

Hole Diameter (In.)
7/16"

Hole Center to Edge (In.)
0.6875

APPLICATION AND PERFORMANCE SPECIFICATION INFORMATION IS SUBJECT TO CHANGE WITHOUT NOTIFICATION

MODEL :	TYPE
PROJECT :	
PREPARED BY :	DATE :

DIMENSION

Channel Size
3 1/2"

ORDERING INFORMATION

Part Number: P155

Weight (lbs.): 2.88

IMS Code: 0304-8660

APPLICATION AND PERFORMANCE SPECIFICATION INFORMATION IS SUBJECT TO CHANGE WITHOUT NOTIFICATION