

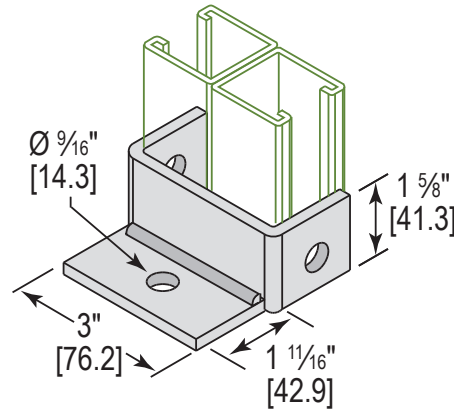
MODEL :		TYPE
PROJECT :		
PREPARED BY :	DATE :	

SERIES SPECIFICATIONS

POST BASE DBL CHAN 1 HOLE 1-5/8"



LINE DRAWING



CONSTRUCTION

Finish
Electro-galvanized

Type
Double Channel 1 Hole

DIMENSION

Length (In.)
 $1 \frac{11}{16}$

Length (mm.)
42.9

Width (In.)
3

Width (mm.)
76.2

Height (In.)
 $1 \frac{5}{8}$

Height (mm.)
41.3

Hole Diameter (In.)
 $\frac{9}{16}''$

Hole Center to Edge (In.)
-

APPLICATION AND PERFORMANCE SPECIFICATION INFORMATION IS SUBJECT TO CHANGE WITHOUT NOTIFICATION

MODEL :		TYPE
PROJECT :		
PREPARED BY :	DATE :	

DIMENSION

Channel Size
1 5/8"

ORDERING INFORMATION

Part Number: P156

Weight (lbs.): 1.16

IMS Code: 0304-8663

APPLICATION AND PERFORMANCE SPECIFICATION INFORMATION IS SUBJECT TO CHANGE WITHOUT NOTIFICATION