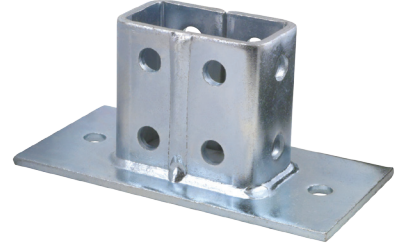


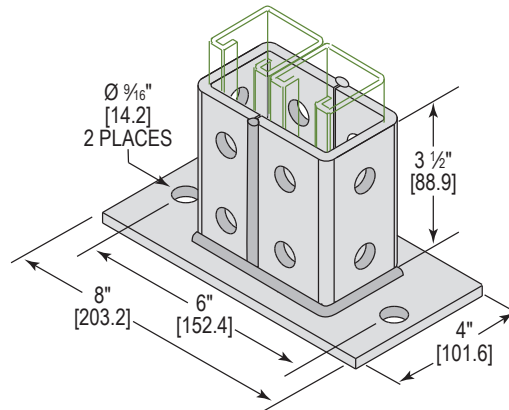
MODEL :		TYPE
PROJECT :		
PREPARED BY :	DATE :	

SERIES SPECIFICATIONS

POST BASE DBL CHAN 2 HOLE SQ. 3-1/2" BOXED



LINE DRAWING



CONSTRUCTION

Finish
Electro-galvanized

Type
Double 2 Hole Square

DIMENSION

Length (In.)
8

Length (mm.)
203.2

Width (In.)
4

Width (mm.)
101.6

Height (In.)
3 1/2

Height (mm.)
88.9

Hole Diameter (In.)
9/16"

Hole Center to Edge (In.)
1

APPLICATION AND PERFORMANCE SPECIFICATION INFORMATION IS SUBJECT TO CHANGE WITHOUT NOTIFICATION

MODEL :	TYPE
PROJECT :	
PREPARED BY :	DATE :

DIMENSION

Channel Size
3 1/2"

ORDERING INFORMATION

Part Number: P157

Weight (lbs.): 3.11

IMS Code: 0304-8666

APPLICATION AND PERFORMANCE SPECIFICATION INFORMATION IS SUBJECT TO CHANGE WITHOUT NOTIFICATION