

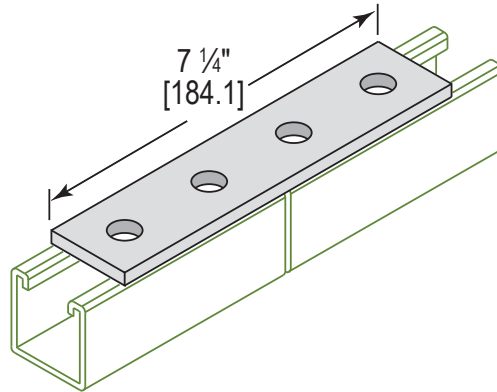
MODEL :		TYPE
PROJECT :		
PREPARED BY :	DATE :	

SERIES SPECIFICATIONS

4 HOLE SPLICE PLATE



LINE DRAWING



CONSTRUCTION

Type
Linear

Finish
Hot-dip galvanized

of Holes
4

DIMENSION

Width (In.)
1 5/8"

Hole Spacing
-

Length (In.)
7 1/4"

Thickness (mm.)
1/4"

APPLICATION AND PERFORMANCE SPECIFICATION INFORMATION IS SUBJECT TO CHANGE WITHOUT NOTIFICATION

MODEL :		TYPE
PROJECT :		
PREPARED BY :	DATE :	

ORDERING INFORMATION

Part Number: F32HD

Weight (lbs.): 0.7

IMS Code: 0304-8903

APPLICATION AND PERFORMANCE SPECIFICATION INFORMATION IS SUBJECT TO CHANGE WITHOUT NOTIFICATION