

CONTRACTOR:	
PROJECT:	DATE:
PREPARED BY:	SERIES: F71

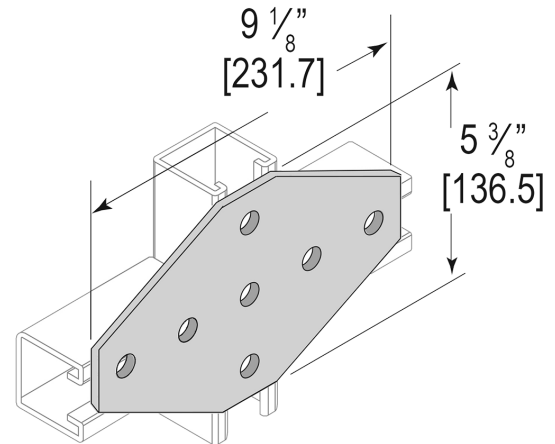
F71

SPECIFICATION & FEATURES

DESCRIPTION

FLAT FITTING CROSS GUS PLATE 7 HOLE EG

Country of Origin: US



ORDERING INFORMATION

PART # F71	STOCK CODE 0305-8032	LENGTH 9.125 Inches	WIDTH 1.625 Inches	COLOR Gray
FINISH Electrogalvanized	MATERIAL Carbon Steel	MOUNTING Bolts	NUMBER OF HOLES 7	PLATE TYPE Flat Fitting

APPLICATION AND PERFORMANCE SPECIFICATION INFORMATION IS SUBJECT TO CHANGE WITHOUT NOTIFICATION