

CONTRACTOR:	
PROJECT:	DATE:
PREPARED BY:	SERIES: FSBC50EG

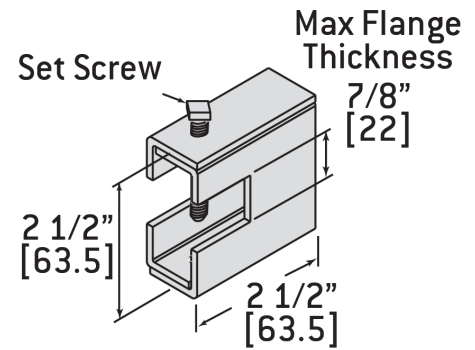
# FSBC50EG

## SPECIFICATION & FEATURES

### DESCRIPTION

STEEL BM CLP 1/2 RD 7/8 MAX FLAN THK EG

Country of Origin: CN



## ORDERING INFORMATION

PART #	STOCK CODE	LENGTH	WIDTH	HEIGHT
FSBC50EG	0305-8047	2.5 Inches	None	2.5 Inches
COLOR	FINISH	MATERIAL	ROD SIZE	
Gray	Electrogalvanized	Steel	1/2"	