

| | |
|--------------|------------------|
| CONTRACTOR: | |
| PROJECT: | DATE: |
| PREPARED BY: | SERIES: FSBC62EG |

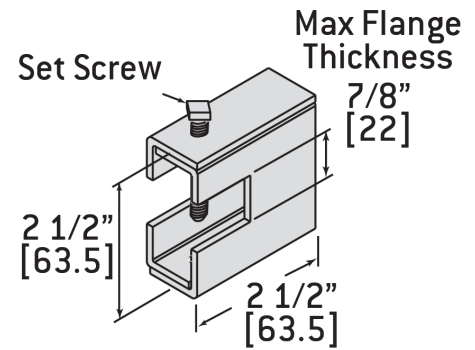
FSBC62EG

SPECIFICATION & FEATURES

DESCRIPTION

STEEL BM CLP 5/8 RD 7/8 MAX FLAN THK EG

Country of Origin: CN



ORDERING INFORMATION

| PART # | STOCK CODE | LENGTH | WIDTH | HEIGHT |
|----------|-------------------|--------------|-------------|--------|
| FSBC62EG | 0305-8050 | 1.875 Inches | 0.75 Inches | |
| COLOR | FINISH | MATERIAL | ROD SIZE | |
| Gray | Electrogalvanized | Steel | 5/8" | |