

CONTRACTOR:	
PROJECT:	DATE:
PREPARED BY:	SERIES: NUCB1200EG

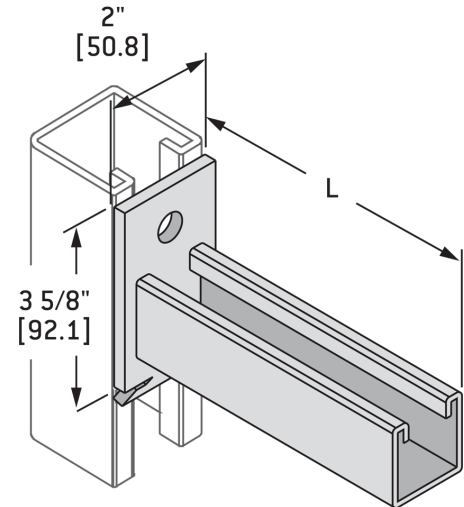
# NUCB1200EG

## SPECIFICATION & FEATURES

### DESCRIPTION

BRACKET CHANNEL NOTCHED UP 2 HL 12 EG

Country of Origin: US



## ORDERING INFORMATION

PART #	STOCK CODE	LENGTH	WIDTH	HEIGHT
NUCB1200EG	0305-8170	12 Inches	2 Inches	4.625 Inches
<b>FINISH</b>	<b>MATERIAL</b>	<b>NUMBER OF BOLT HOLES</b>		
ElectroGalvanized	Carbon Steel	2		

APPLICATION AND PERFORMANCE SPECIFICATION INFORMATION IS SUBJECT TO CHANGE WITHOUT NOTIFICATION