

CONTRACTOR:	
PROJECT:	DATE:
PREPARED BY:	SERIES: NUCB1800EG

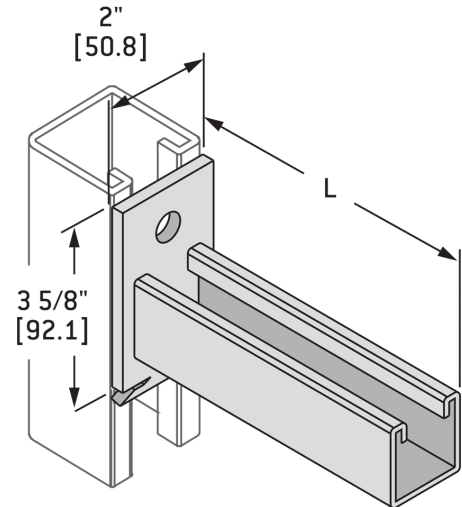
NUCB1800EG

SPECIFICATION & FEATURES

DESCRIPTION

BRACKET CHANNEL NOTCHED UP 2 HL 18" EG

Country of Origin: US



ORDERING INFORMATION

PART # NUCB1800EG	STOCK CODE 0305-8173	LENGTH 18 Inches	WIDTH 2 Inches	HEIGHT 4.625 Inches
FINISH ElectroGalvanized	MATERIAL Carbon Steel	NUMBER OF BOLT HOLES 2		

APPLICATION AND PERFORMANCE SPECIFICATION INFORMATION IS SUBJECT TO CHANGE WITHOUT NOTIFICATION