

CONTRACTOR:	
PROJECT:	DATE:
PREPARED BY:	SERIES: NUCB900EG

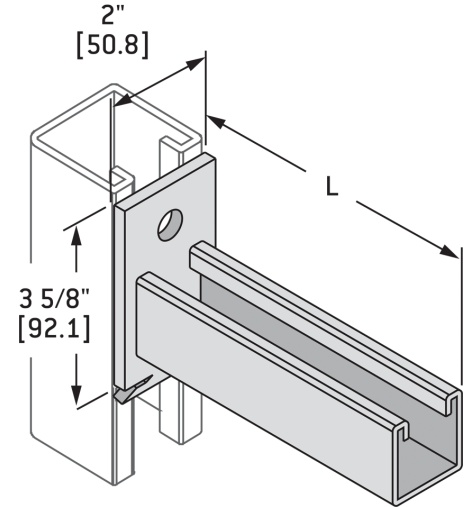
# NUCB900EG

## SPECIFICATION & FEATURES

### DESCRIPTION

BRACKET CHANNEL NOTCHED UP 2 HL 9" EG

Country of Origin: US



## ORDERING INFORMATION

<b>PART #</b> NUCB900EG	<b>STOCK CODE</b> 0305-8182	<b>LENGTH</b> 9 Inches	<b>WIDTH</b> 2 Inches	<b>HEIGHT</b> 4.625 Inches
<b>FINISH</b> ElectroGalvanized	<b>MATERIAL</b> Carbon Steel	<b>NUMBER OF BOLT HOLES</b> 2		