

CONTRACTOR:	
PROJECT:	DATE:
PREPARED BY:	SERIES: P164

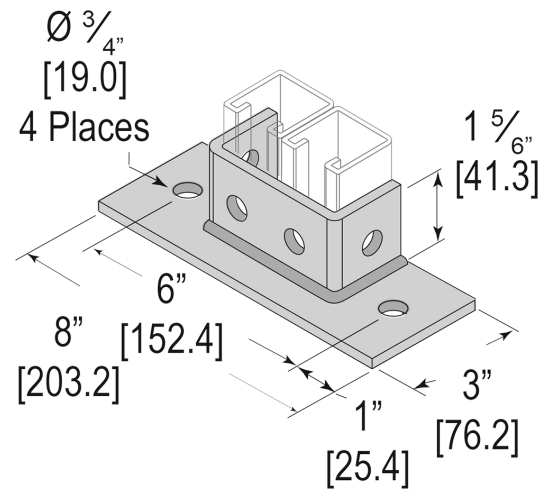
# P164

## SPECIFICATION & FEATURES

### DESCRIPTION

POST BASE DBL CHA 2 HOLE STD 1-5/8 FLUSH

Country of Origin: US



## ORDERING INFORMATION

PART #	STOCK CODE	LENGTH	WIDTH	HEIGHT
P164	0305-8491	8 Inches	3 Inches	1.625 Inches
<b>FINISH</b>	<b>HARDWARE</b>	<b>MATERIAL</b>		
ElectroGalvanized	Steel	Steel		