

CONTRACTOR:	
PROJECT:	DATE:
PREPARED BY:	SERIES: P167

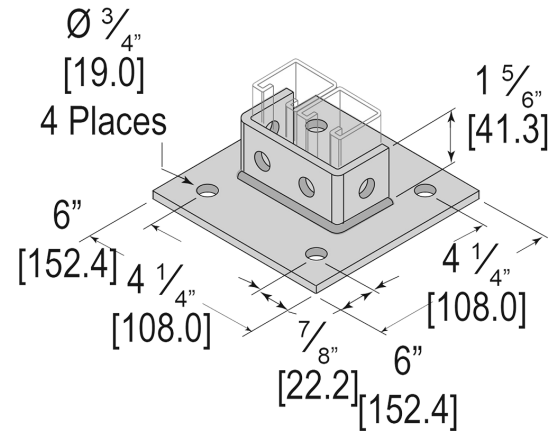
# P167

## SPECIFICATION & FEATURES

### DESCRIPTION

POST BASE DBL CHAN 4 HL STD 1-5/8 SQ

Country of Origin: US



## ORDERING INFORMATION

PART #	STOCK CODE	LENGTH	WIDTH	HEIGHT
P167	0305-8497	6 Inches	6 Inches	1.625 Inches
<b>FINISH</b>	<b>HARDWARE</b>	<b>MATERIAL</b>		
Electrogalvanized	Steel	Steel		