

CONTRACTOR:	
PROJECT:	DATE:
PREPARED BY:	SERIES: PS350EG

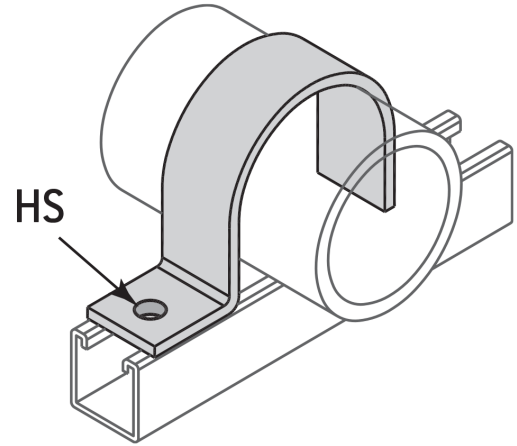
PS350EG

SPECIFICATION & FEATURES

DESCRIPTION

PIPE STRAP 2 HOLE 3-1/2" EG

Country of Origin: US



ORDERING INFORMATION

PART # PS350EG	STOCK CODE 0305-8521	LENGTH None	WIDTH None	HEIGHT None
TRADE SIZE 3.5 Inches	COLOR Gray	FINISH Electrogalvanized	MATERIAL Carbon Steel	NUMBER OF HOLES None

APPLICATION AND PERFORMANCE SPECIFICATION INFORMATION IS SUBJECT TO CHANGE WITHOUT NOTIFICATION