

CONTRACTOR:	
PROJECT:	DATE:
PREPARED BY:	SERIES: SCNLS037EG3

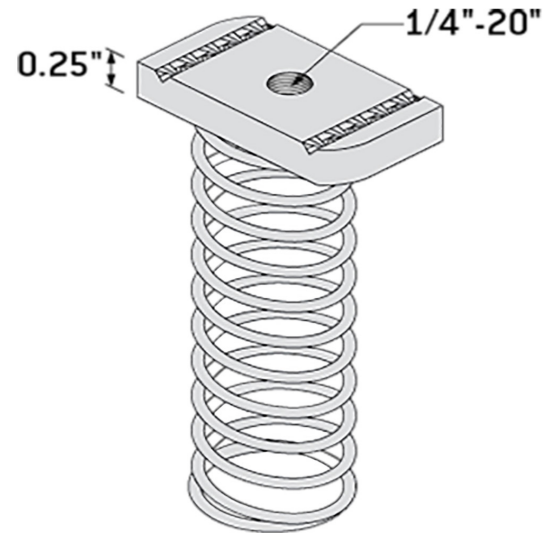
# SCNLS037EG3

## SPECIFICATION & FEATURES

### DESCRIPTION

CHANNEL NUT LNG SPRG 3/8-16 (3/8 THK) EG

Country of Origin: US



## ORDERING INFORMATION

<b>PART #</b> SCNLS037EG3	<b>STOCK CODE</b> 0305-8689	<b>LENGTH</b> None	<b>WIDTH</b> None	<b>HEIGHT</b> 0.375 Inches
<b>COLOR</b> Gray	<b>FINISH</b> Electrogalvanized	<b>MATERIAL</b> Steel	<b>MATERIAL OF CONSTRUCTION</b> CARBON STEEL	<b>NUT TYPE</b> Channel Nut
<b>SCREW SIZE</b> 5/8"-11 TS	<b>THREAD SIZE</b> 3/8-16	<b>THREAD TYPE</b> UNC		

APPLICATION AND PERFORMANCE SPECIFICATION INFORMATION IS SUBJECT TO CHANGE WITHOUT NOTIFICATION