

CONTRACTOR:	
PROJECT:	DATE:
PREPARED BY:	SERIES: SCNLS050EG4

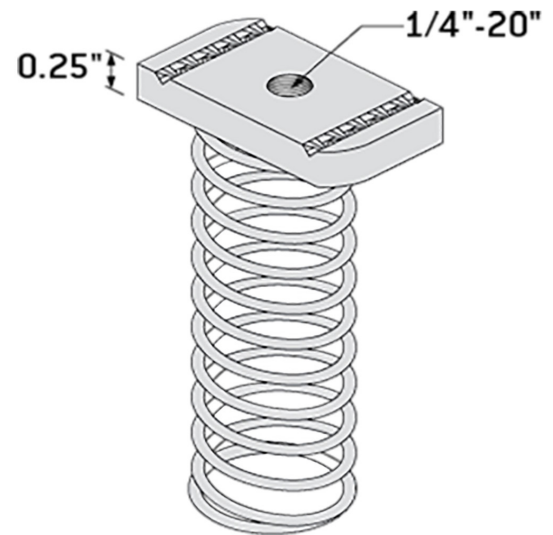
SCNLS050EG4

SPECIFICATION & FEATURES

DESCRIPTION

CHANNEL NUT LNG SPRG 1/2-13 (1/2 THK) EG

Country of Origin: CN



ORDERING INFORMATION

PART # SCNLS050EG4	STOCK CODE 0305-8692	LENGTH None	WIDTH None	HEIGHT 0.5 Inches
COLOR Gray	FINISH Electrogalvanized	MATERIAL Steel	MATERIAL OF CONSTRUCTION CARBON STEEL	NUT TYPE Channel Nut
SCREW SIZE 5/8"-11 TS	THREAD SIZE 1/2-13	THREAD TYPE UNC		

APPLICATION AND PERFORMANCE SPECIFICATION INFORMATION IS SUBJECT TO CHANGE WITHOUT NOTIFICATION