

CONTRACTOR:	
PROJECT:	DATE:
PREPARED BY:	SERIES: SWF037EG

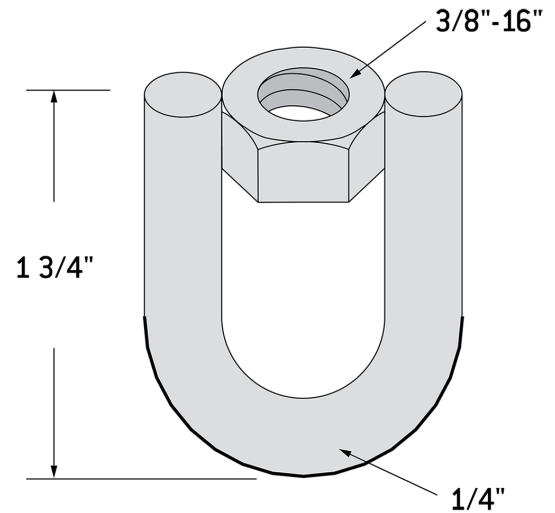
SWF037EG

SPECIFICATION & FEATURES

DESCRIPTION

SWIVEL FEMALE 3/8" EG

Country of Origin: US



ORDERING INFORMATION

PART #	STOCK CODE	LENGTH	HEIGHT	FINISH
SWF037EG	0305-8776	1.75 Inches	1.75 Inches	Electrogalvanized
MATERIAL	ROD SIZE (RS)	THREAD TYPE	THREAD PITCH/THREAD PER INCH	
Carbon Steel	3/8"-16	UNC	16	

APPLICATION AND PERFORMANCE SPECIFICATION INFORMATION IS SUBJECT TO CHANGE WITHOUT NOTIFICATION