

CONTRACTOR:	
PROJECT:	DATE:
PREPARED BY:	SERIES: SWF050EG

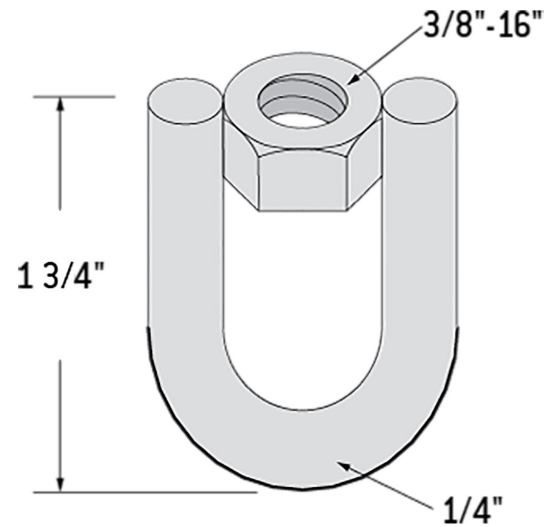
# SWF050EG

## SPECIFICATION & FEATURES

### DESCRIPTION

SWIVEL FEMALE 1/2" EG

Country of Origin: US



## ORDERING INFORMATION

<b>PART #</b> SWF050EG	<b>STOCK CODE</b> 0305-8779	<b>LENGTH</b> 2 Inches	<b>HEIGHT</b> 2 Inches	<b>FINISH</b> Electrogalvanized
---------------------------	--------------------------------	---------------------------	---------------------------	------------------------------------

<b>MATERIAL</b> Carbon Steel	<b>ROD SIZE (RS)</b> 1/2"-13	<b>THREAD TYPE</b> UNC	<b>THREAD PITCH/THREAD PER INCH</b> 13
---------------------------------	---------------------------------	---------------------------	---